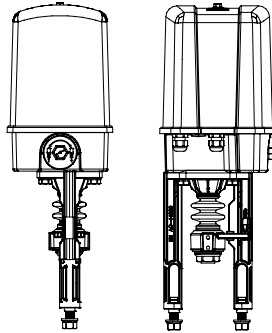


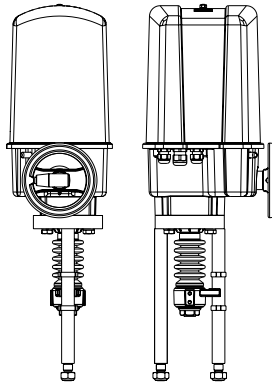
Electric thrust actuator ARI-PREMIO®-Plus 2G

Electric thrust actuator
ARI-PREMIO®-Plus 2G
2,2 - 5 kN



Page 2

Electric thrust actuator
ARI-PREMIO®-Plus 2G
12 - 25 kN



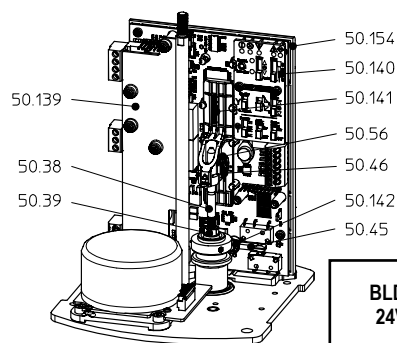
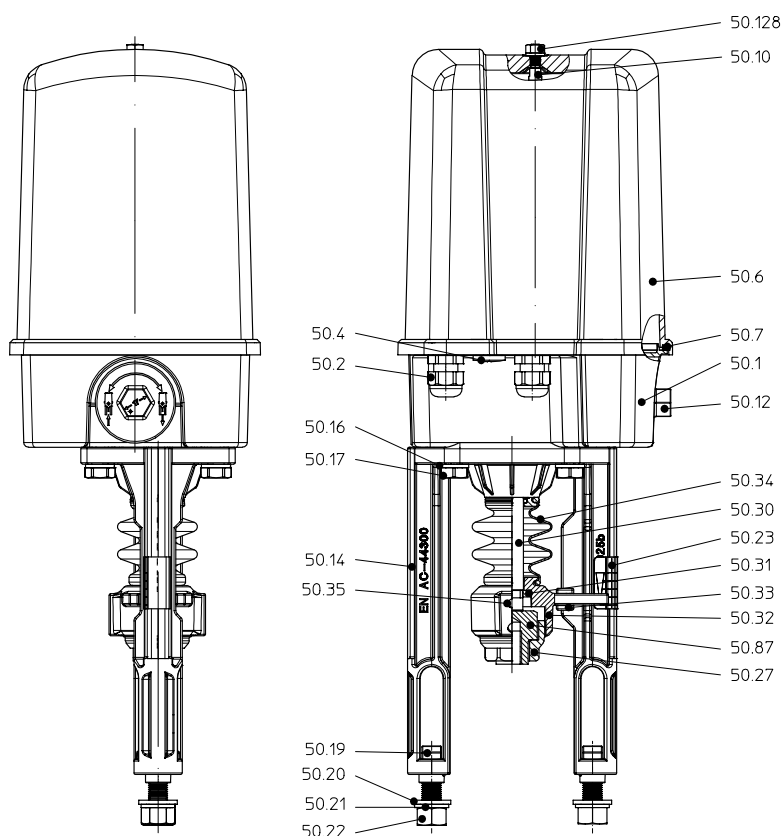
Page 4



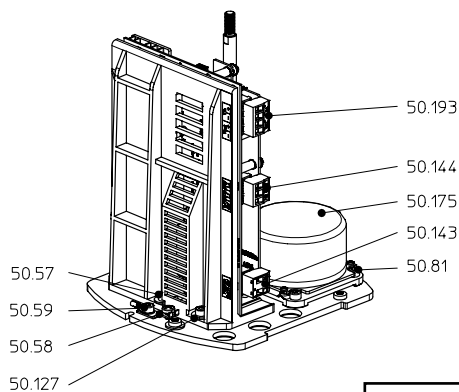
Features

- optional input signal:
 - 3-point from 12 to 250VAC/DC
 - 0-10V
 - 4-20mA
- automatic valve travel adaption
- economy function for extended lifetime
- emergency manual override handwheel standard
- contactless position determination
- optional thrust or travel switch

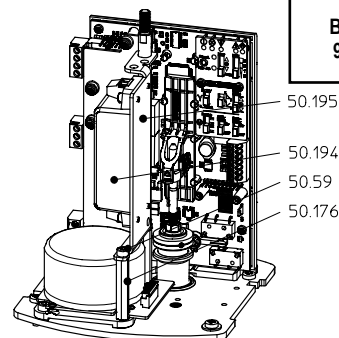
Electric thrust actuator ARI-PREMIO®-Plus 2G 2,2 - 5 kN



**BLDC motor
24V AC/DC**



**BLDC motor
90-264V AC**



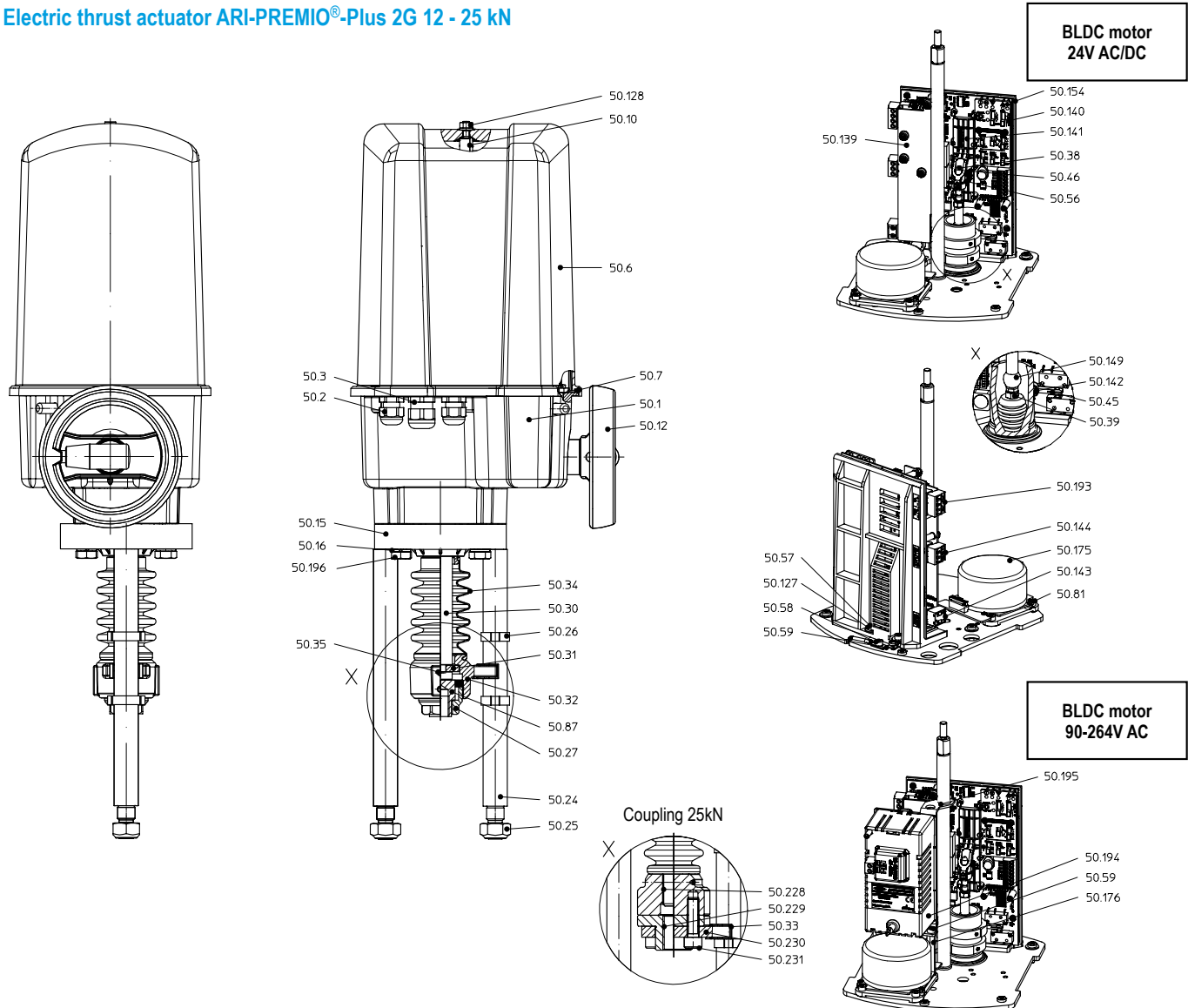
Pos.	Description
50.1	Gearbox
50.2	Cable gland 2 x M16x1,5
50.4	Sealing plug 1 x M16x1,5
50.6	Hood
50.7	Hood seal
50.10	Column
50.12	Handwheel
50.14	Yoke
50.16	Washer DIN 128-A10
50.17	Hexagon bolt DIN EN ISO 4017 - M10x40
50.19	T-head bolt DIN 261-M12x40
50.20	Washer DIN EN ISO 7089
50.21	Washer DIN 128 - A12
50.22	Hexagon nut DIN EN ISO 4032 - M12
50.23	Lift dial
50.27	Coupling
50.30	Driving spindle
50.31	Spindle safety feature
50.32	Torsion safety feature
50.33	Slide
50.34	Bellow
50.35	Grub screw DIN ISO 4766 - M6
50.38	Guide spindle

Pos.	Description
50.39	Hexagon nut DIN EN 24034 - M5
50.45	Shift lever
50.46	Spring washer
50.56	Spring
50.57	Cylinder screw DIN EN ISO 4762 - M4x10
50.58	Protective conductor terminal
50.59	Cylinder screw DIN EN ISO 4762 - M4x6
50.81	Cylinder screw DIN EN ISO 4762 - M4x8
50.87	Threaded bush
50.127	Washer ISO 7093-1
50.128	Collar nut with sealing ring M6
50.139	Protective cover
50.140	Switch cover
50.141	Trip slide
50.142	Shakeproof washer
50.143	Connector, 2-pole (N/L)
50.144	Connector, 3-pole (L↑/L↓/0V)
50.154	Board support cpl. (incl. electronic)
50.175	BLDC motor
50.176	Distance bolt M4x45
50.193	Connector, 4-pole (Y in/Y out)
50.194	Power supply, cpl.
50.195	Fixing bracket for power supply

Technical data

Type		ARI-PREMIO-Plus 2G 2,2 kN	ARI-PREMIO-Plus 2G 5 kN
Thrust force	kN	2,2 kN	5,0 kN
Operating speed	mm/s	0,25 / 0,38 / 0,47 / 1,0 adjustable	
Travel distance max.	mm	50 mm	
Duty classification acc. to EN 60034-1		S3 - 80% ED / max. 1200 c/h (at +70°C)	
Supply voltage	V	24 V AC/DC	
Motor type		BLDC (Brushless DC motor)	
Power consumption	VA	max. 31,2 (depends on the operating speed)	
Torque switch		2 pcs. included internally	
Enclosure EN 60529		IP 65	
Max. storage temperature	°C	-40 °C ... +85 °C	
Max. permissible ambient temperature	°C	-20 °C ... +70 °C (For outdoor use and sub-zero temperatures, a heating is recommended!)	
Hand operating device		Yes (always running)	
Operation		optional:- 3-point: 12 V AC/DC to 250 V AC/DC 0 to 10 V DC load resistance 500 kOhm resolution 12 Bit 4 to 20 mA DC load resistance 125 Ohm resolution 12 Bit	
Max. cable cross section		Supply voltage: 2,5 mm ² 3-step input: 2,5 mm ² Input signals: 2,5 mm ²	
Mounting position		Any, except: motor not hanging downwards	
Characteristics at control signal failure		adjustable with slide switch: OPEN, STOP, CLOSE	
Gear lubricant		Klüber / Isoflex Topas NB152	
Weight	kg	5,4 kg	
Aditonal voltage		refer to page 6	
Accessories		refer to page 6 - 8	

Electric thrust actuator ARI-PREMIO®-Plus 2G 12 - 25 kN



Pos.	Description
50.1	Gearbox
50.2 / 50.3	Cable gland 2 x M16 x 1,5 / 1 x M20 x 1,5
50.6	Hood
50.7	Hood seal
50.10	Column
50.12	Handwheel (engageable)
50.15	Flange
50.16	Washer DIN 128 - A10
50.24	Distance column
50.25	Hexagon nut DIN EN ISO 4032 - M16
50.26	2-ear clamp (stroke indicator)
50.27	Coupling
50.30	Driving spindle
50.31	Spindle safety feature
50.32	Torsion safety feature
50.34	Bellow
50.35	Grub screw DIN ISO 4766 - M6
50.38	Guide spindle
50.39	Hexagon nut DIN EN 24034 - M5
50.45	Shift lever
50.46	Spring washer
50.57	Cylinder screw DIN EN ISO 4762 - M4x10
50.58	Protective conductor terminal

Pos.	Description
50.59	Cylinder screw DIN EN ISO 4762 - M4x6
50.81	Cylinder screw DIN EN ISO 4762 - M4x8
50.87	Threaded bush
50.127	Washer ISO 7093-1
50.128	Collar nut with sealing ring M6
50.139	Protective cover
50.140	Switch cover
50.141	Trip slide
50.142	Shakeproof washer
50.143	Connector, 2-pole (N/L)
50.144	Connector, 3-pole (L↑/ L↓/ 0V)
50.149	Axial joint
50.154	Board support cpl. (incl. electronic)
50.175	BLDC motor
50.176	Distance bolt M4x45
50.193	Connector, 4-pole (Y in/Y out)
50.194	Power supply, cpl.
50.195	Fixing bracket for power supply
50.196	Hexagon bolt DIN EN 24017 - M10x100
50.228	Spindle unit PPREMIO 25kN
50.229	Threaded bush PREMIO
50.230	Securing flange
50.231	Cylinder screw DIN EN ISO 4762 - M10x35

Technical data

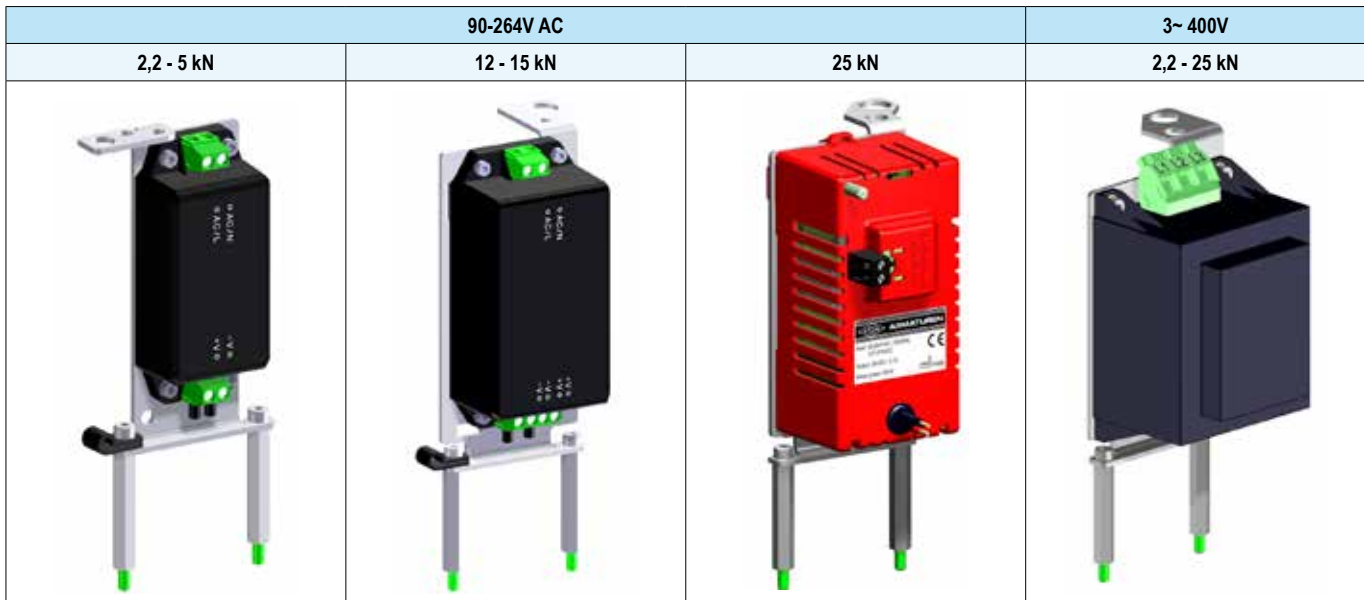
Type		ARI-PREMIO-Plus 2G 12 kN	ARI-PREMIO-Plus 2G 15 kN	ARI-PREMIO-Plus 2G 25 kN
Thrust force	kN	12,0 kN	15,0 kN	25,0 kN
Operating speed	mm/s	0,20 / 0,31 / 0,38 / 0,79 adjustable		
Travel distance max.	mm	65 mm *		
Duty classification acc. to EN 60034-1		S3 - 80% ED / max. 1200 c/h (at +70°C)		
Supply voltage	V	24 V AC/DC		
Motor type		BLDC (Brushless DC motor)		
Power consumption	VA	max. 60 (depends on the operating speed)		max. 130
Torque switch		2 pcs. included internally		
Enclosure EN 60529		IP 65		
Max. storage temperature	°C	-40 °C ... +85 °C		
Max. permissible ambient temperature	°C	-20 °C ... +70 °C (For outdoor use and sub-zero temperatures, a heating is recommended!)		
Hand operating device		Yes (engageable)		
Operation		optional:- 3-point: 12 V AC/DC to 250 V AC/DC 0 to 10 V DC load resistance 500 kOhm resolution 12 Bit 4 to 20 mA DC load resistance 125 Ohm resolution 12 Bit		
Max. cable cross section		Supply voltage: 2,5 mm ² 3-step input: 2,5 mm ² Input signals: 2,5 mm ²		
Mounting position		Any, except: motor not hanging downwards		
Characteristics at control signal failure		adjustable with slide switch: OPEN, STOP, CLOSE		
Gear lubricant		Klübersynth G34-130		
Weight	kg	9,5 kg		11 kg
Additional voltage		refer to page 6		
Accessories		refer to page 6 - 8		

*other strokes on request

Additional voltage

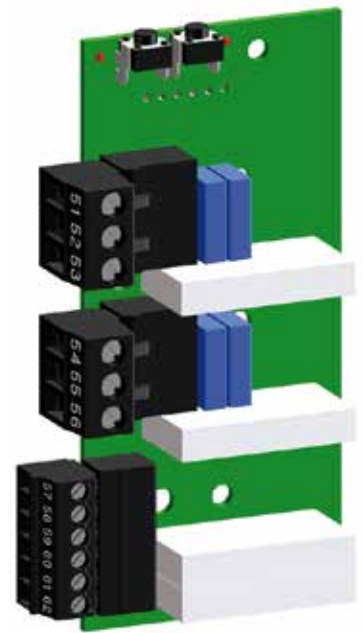
Switching power supply for ARI-PREMIO-Plus 2G		2,2 - 5 kN	12 - 15 kN	25 kN
Voltage	V - Hz	90-264 V AC 47-63 Hz 127-370 V DC		
Power consumption	VA	max. 31,2	max. 60	max. 130

Transformer for ARI-PREMIO-Plus 2G		2,2 - 5 kN	12 - 15 kN	25 kN
Voltage	V - Hz	3~ 400 V 50/60 Hz		
Power consumption	VA	max. 65		max. 119


Accessories

Type	ARI-PREMIO-Plus 2G 2,2 - 25 kN	
Binary feedback	Type Relay board	<ul style="list-style-type: none"> • 2 intermediate positions, <ul style="list-style-type: none"> - to set by switch, - changeover contacts 250 V, 3 A ohm resistive load, 6 A inductive load • 1 failure signal and 1 warning signal, <ul style="list-style-type: none"> - changeover contacts 30 V AC/DC, 2A
Electronic position indicator	Type Analog output card	<ul style="list-style-type: none"> • analogue output for position feedback, • 4-20 mA switchable to 0-10V • invertable • galvanic isolation between the mains voltage and feedback signal • active
Heating	Heating resistor	<ul style="list-style-type: none"> • 230 V AC, 115 V AC, 24 V AC/DC; 15 W automatic switching circuit
Potentiometer	Conductive (max. 2 only)	<ul style="list-style-type: none"> • 1000, 2000, 5000 Ohm, 1 Watt (at +70 °C) • Wiper current max. 0,01 mA / recommended 0,002 mA
	Wire (max. 2 only)	<ul style="list-style-type: none"> • 100, 200 Ohm, 0,5 Watt (at +70 °C) • Wiper current max. 35 mA / recommended 0,02 mA
LED – Status Indicator	2,2 / 5kN	<ul style="list-style-type: none"> • From the outside on the visible display of the drive status; • green= OK.; red=error; yellow= warning; blue=maintenance; • Intermediate upgrade modules available starting with SW version 3.3.X
	12 / 15 / 25kN	
(Process-) controller	Type Processcontroller dTRON 316	<ul style="list-style-type: none"> • Mounted in the actuator • 4-20mA output for operation of PREMIO-Plus 2G • for resistance thermometers and thermocouples (provided by the customer) or standard signals, • Pre-configured for temperature control: control range from -200°C up to +850°C (resistance thermometer)
Bus systems	Profibus DP (via dTRON 316 as Gateway)	<ul style="list-style-type: none"> • Control command: <ul style="list-style-type: none"> - 3-point: OPEN, Stop, Close - Nominal position value 0-100% • Feedback signals <ul style="list-style-type: none"> - Actual position value (requires electronic position indicator in the PREMIO-Plus 2G - 2 binary signals (requires a relay card in the PREMIO-Plus 2G) optional: Limit switch (2x), failure signal, warning signal
	Modbus RTU (via dTRON 316 as Gateway)	

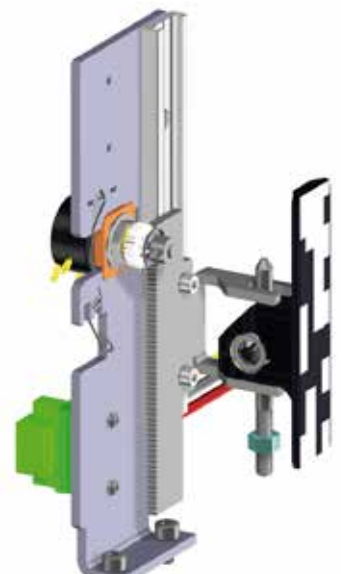
Relay board					
Relay (zero-potential changeover contacts)		1 (open)	1 (close)	3 warning	4 failure
switching capacity	U_B	250 V, 3 A ohm resistive load, 6 A inductive load		30 V AC/DC, 2A	
max. cable cross section		2,5 mm ²		1,5 mm ²	
Contact material		Gold			
Storage temperature		-40 °C ... +85 °C			
Operating temperature		-40 °C ... +85 °C (Note temperature range for the entire actuator!)			
Features:					
<ul style="list-style-type: none"> • Setting of the switching points over push buttons • zero-potential changeover contacts • 2 intermediate positions or end positions • 1 Collective failure message: <ul style="list-style-type: none"> - Control signal failure - Position can not be reached (Motor-/gear failure) - Blocking (actual) - Actuator is not initialised - Voltage failure • 1 Collective warning message: <ul style="list-style-type: none"> - Hand operating device - Blockage (identified) - Position can not be reached - Maintenance - Internal temperature exceeded - ED management active - Silent running - too small travel during initialization 					



Analog output card			
Output control signal	Y_U	0 -10V DC Measuring resistance (load resistance) Signal resolution	max. 2 kOhm load resistance 12 Bit
Output control signal	Y_I	4 -20mA DC, active Measuring resistance (load resistance) Signal resolution	max. 500 Ohm 12 Bit
Features:			
• for position transmitter			



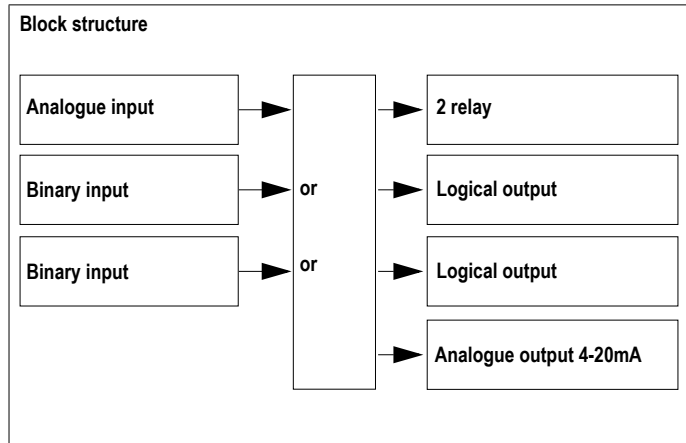
Potentiometer		
Type	MP21 (Standard)	RP19
Resistance values	1000, 2000, 5000 Ohm	100, 200 Ohm
Element technology	Conductive plastic	Wire
Resistance tolerance	±15 %	±3 %
Independent linearity tolerance	±1 %	±0,5 %
Loading capacity at +70°C (0 W at 105°C)	1 Watt	0,5 Watt
Max. / recommended contact current	0,01 mA / 0,002 mA	35 mA / 0,02 mA
Max. cable cross section	2,5 mm ²	
Durability	10 Mio. turns	1 Mio. turns



Integrated (Process-) controller dTRON 316

Features

- programmable analogue input
- 2 auto-tune methods
- Program function with 8 program sections or slope-function
- 2 Timer functions
- 4 limit-comparators
- Interlock for keyboard and level
- 4 programmable setpoints, two parameter sets
- 4 digit resolution (max. 2 decimal places)
- Controller characteristic P, PD, PI or PID
- Actual value input by usual temperature sensors (see in table)
- 2 relay outputs 230V/3A (shutter)
- 4-20mA output for operation of PREMIO-Plus 2G
- 2 combinable binary inputs / binary outputs



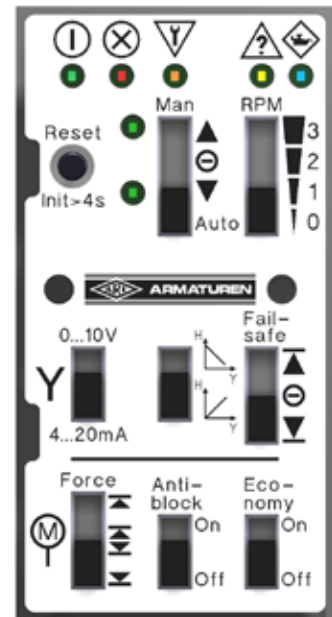
Input thermocouples	
Description	Measuring range
Fe-CuNi „L“	-200 ...+900°C
Fe-CuNi „J“ DIN EN 60584	-200 ...+1200°C
Cu-CuNi „U“	-200 ...+600°C
Cu-CuNi „T“ DIN EN 60584	-200 ...+400°C
NiCr-Ni „K“ DIN EN 60584	-200 ...+1372°C
NiCr-CuNi „E“ DIN EN 60584	-200 ...+1000°C
NiCrSi-NiSi „N“ DIN EN 60584	-100 ...+1300°C
Pt10Rh-Pt „S“ DIN EN 60584	0+1768°C
Pt13Rh-Pt „R“ DIN EN 60584	0+1768°C
Pt30Rh-Pt6Rh „B“ DIN EN 60584	0+1820°C
W5Re-W26Re „C“	0+2320°C
W3Re-W25Re „D“	0+2495°C
W3Re-W26Re	0+2400°C

Input standardized active current or voltage signals	
Description	Measuring range
Voltage	0 (2) ... 10V, input resistance Re > 100kOhm
Current	0 (4) ... 20mA, voltage drop ≤ 1,5 V

Input resistance thermometer		
Description	Type of connection	Measuring range
Pt 100 (standard)	2-wire / 3-wire / 4-wire	-200...+850°C
Pt 500	2-wire / 3-wire / 4-wire	-200...+850°C
Pt 1000	2-wire / 3-wire / 4-wire	-200...+850°C
KTY11-6	2-wire	-50...+150°C
Sensor output resistance: max. 300Ohm each circuit at 3- and 4-wire connection		
Measurement current: approx. 250µA		
Circuit adjustment: - at 3- and 4-wire connection not necessary. - at 2-wire connection a circuit adjustment can be done with software by correcting the actual value.		

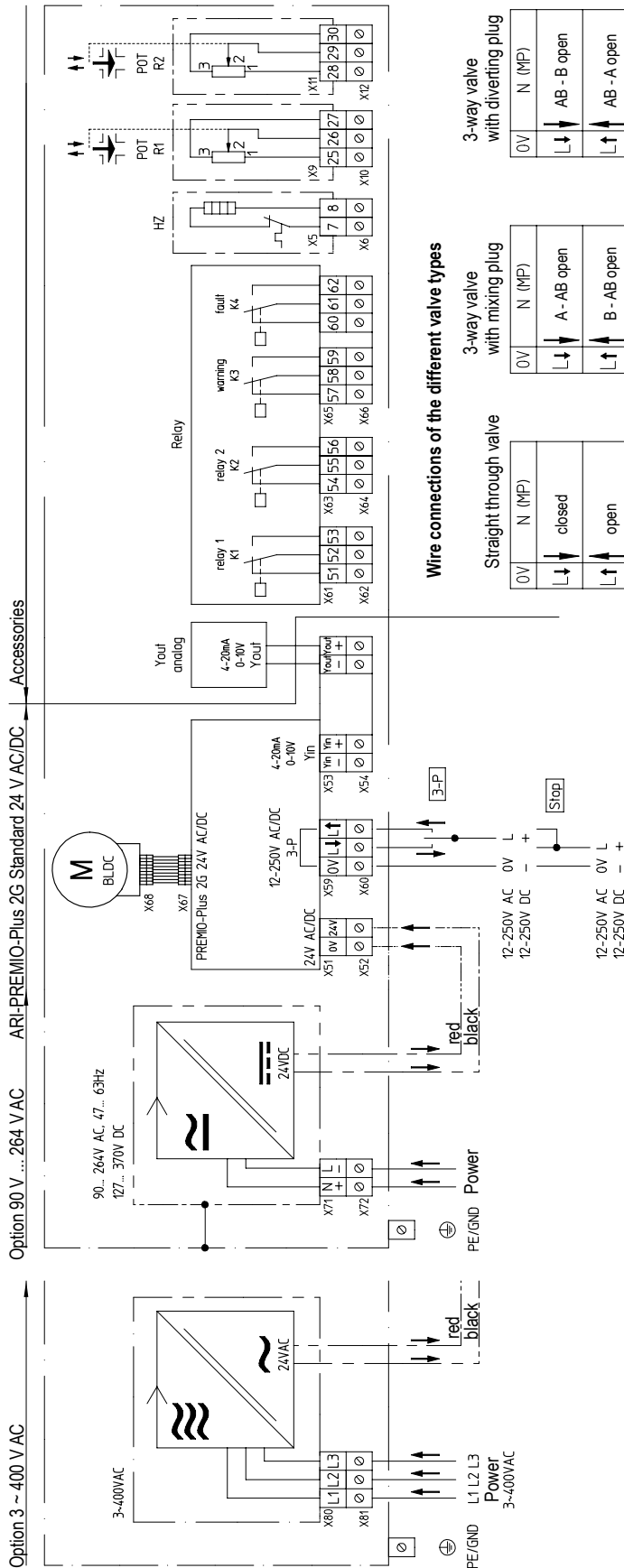
Direct operator panel

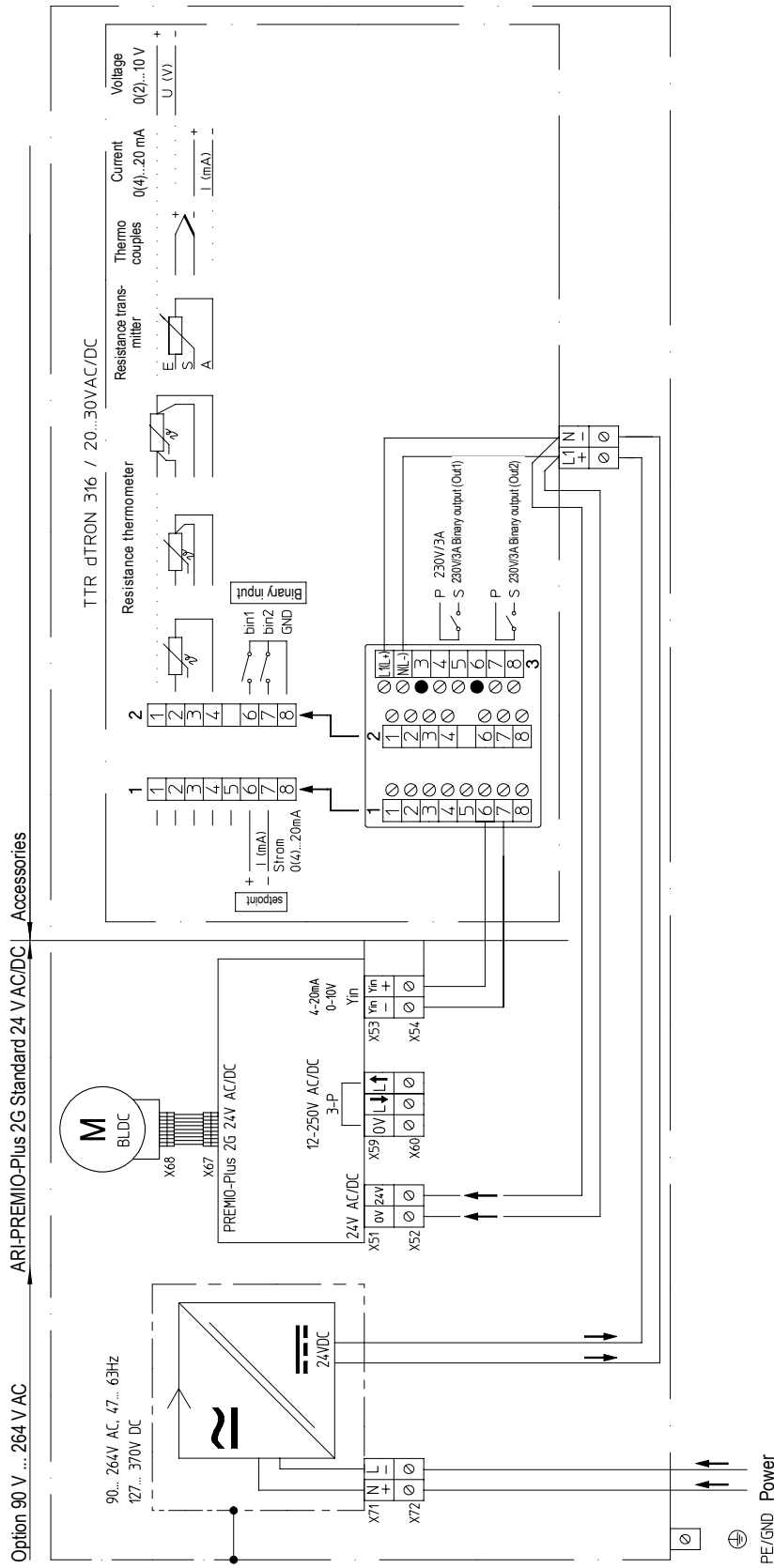
- Setting with switches, without a PC or tools
- Failure signals acc. to Namur 107
- Switchable economy function for extended lifetime
- Local operation
- Anti-block function
- Control signal switch 0-10 V / 4-20 mA
- Control signal invertible
- Adjustable failsafe characteristic at control signal failure
- Adjustable motor speed to adapt the operating speed

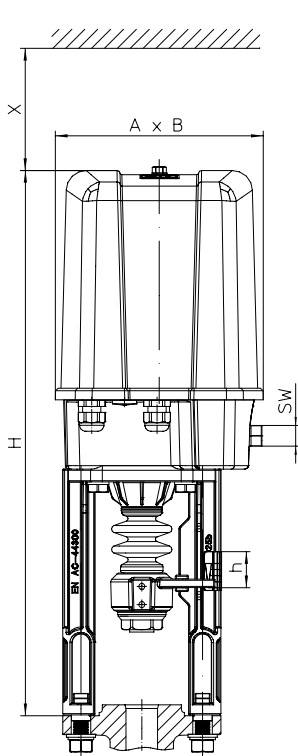

Additional features:

- Automatic valve travel adaption
- Priority control for 3-point signals - e.g. for anti-freeze function
- Economy function for extended lifetime
 - Prevents cycling of the valve, reducing wear
 - Control optimisation for 3-point operation
- Tight-closing function
- Detection and suppression of interferences on the signal line
- Automatic fault detection (incl. emergency functionality)
- Temperature duty cycle management and performance adjustment
- Avoid condensation by integrated humidity sensor with heating elements
- Contactless position determination
- Failure and warning signal via relay contact



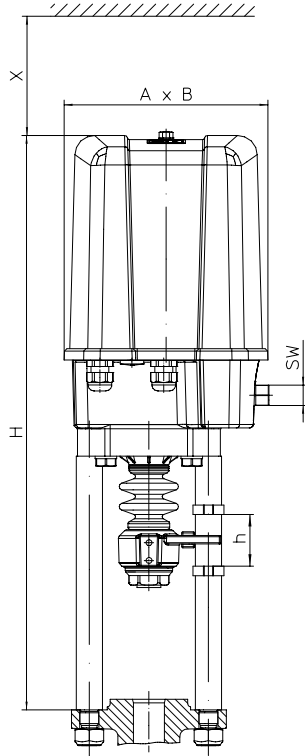






2,2 - 5 kN

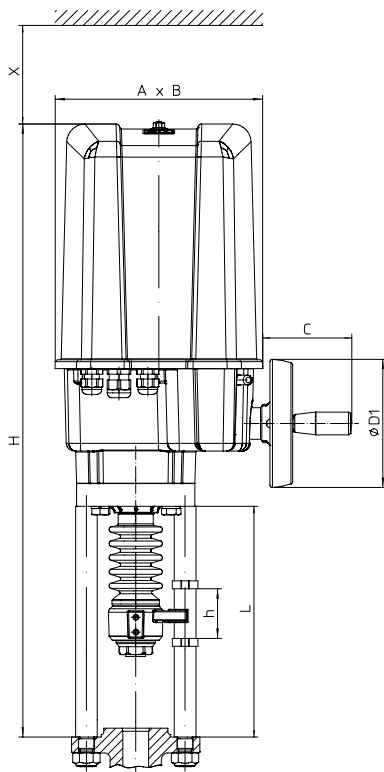
Nominal stroke max. 30 mm



2,2 - 5 kN

Nominal travel > 30 mm - 50 mm

		2,2 - 5 kN	
A	(mm)	171	
B	(mm)	156	
SW	(mm)	17	
X	(mm)	150	
H	(mm)	448	482
h (Nominal travel)	(mm)	max. 30	max. 50



12 - 25 kN

Nominal travel max. 80 mm

		12 - 25 kN		
A	(mm)	210		
B	(mm)	184		
C	(mm)	90		
Ø D1	(mm)	130		
X	(mm)	200		
H	(mm)	622	637	652
h (Nominal travel)	(mm)	max. 50	max. 65	max. 80
L (Column)	(mm)	234	249	264