



Project

The model A43 bimetal thermometer was developed as a standard version for simple temperature indication in heating applications. Its modular design enables a multitude of combinations of case materials, nominal sizes, scale ranges and stem lengths. This ensures that the basic dimensions are maintained.

The standard scope of delivery of the model A43 includes a thermowell. The thermowell can be operated with an operating pressure up to a maximum of 6 bar.

The model A43 is manufactured to tolerance class 2 in accordance with EN 13190 and thus offers the required indication accuracy for heating technology.

Specifications

- Measuring element Bimetal coil
- Nominal size 63, 80, 100
- Working range Full scale value
- Case Model A43.10: Aluminium; Model A43.20: Steel galvanised; Model A43.30: Plastic, black
- Connection location Back mount (BM), centre
- Process connection Thermowell G B, copper alloy
- Stem Aluminium
- Thermowell Copper alloy removable, friction fit
- Permissible operating pressure at thermowell Max. 6 bar
- Dial Plastic, white, black lettering
- Pointer Plastic, black
- Window NS 63: OS; NS 80, 100: SAN
- Indication accuracy Class 2 per EN 13190
- Zero adjustment At bottom of stem

Features and Applications

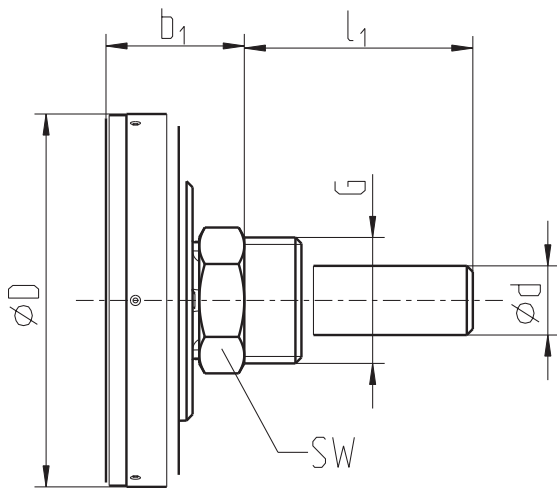
- Heating systems
- Hot water tanks
- Solar collectors
- Heat transfer stations
- Reliable and cost-effective
- Indication accuracy class 2 in accordance with EN 13190
- Scale ranges from -30 ... +120 °C

Options

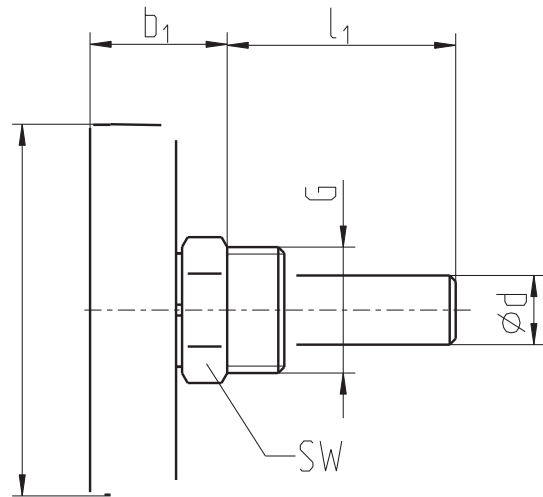
- Other scale ranges
- Slip-on bezel, nickel-plated
- Removable brass thermowell with retainer screw

Dimensions in mm

Model A43.10, A43.20



Model A43.30



NS	Dimensions in mm					
	b_1	$\varnothing d$	$\varnothing D$	l_1	G	SW
63	24	11.5 ¹⁾	63 (61.6 ... 62.2)	40, 60, 100 (optional: 160)	G 1/2 B	SW 21
80	24	11.5 ¹⁾	80 (78.6 ... 79.4)	40, 60, 100 (optional: 160)	G 1/2 B	SW 21
100	24	11.5 ¹⁾	100 (98.6 ... 99.4)	40, 60, 100 (optional: 160)	G 1/2 B	SW 21

1) With $l_1 = 160$: $\varnothing d = 11.0$ mm

Ordering information

Model / Nominal size / Scale range / Process connection / Length l_1 / Options

www.bermo.com.br

Matriz

Blumenau-SC
47 2123-4444
bermo@bermo.com.br

Filiais

Chapécó-SC
49 3322-2177
bermocco@bermo.com.br

Curitiba-PR
41 2111-4344
bermocwb@bermo.com.br

Joinville-SC
47 3435-3635
bermojvl@bermo.com.br

Porto Alegre-RS
51 3464-5159
bermopoa@bermo.com.br

Salvador-BA
71 3512-4488
bermossa@bermo.com.br

São Paulo-SP
11 2505-1500
bermosp@bermo.com.br