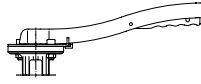
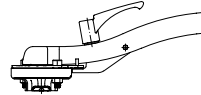


ARI-ZIVA®-Z - Fig. 014 - Free of maintenance wafer pattern butterfly valve - soft sealed - industrial range

ARI-ZIVA®-G - Fig. 015 - Free of maintenance butterfly valve with threaded eyelets - soft sealed - industrial range

**ARI-ZIVA®-Z / ARI-ZIVA®-G**  
 with notch lever


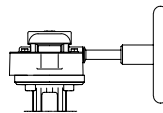
Page 6

**ARI-ZIVA®-Z / ARI-ZIVA®-G**  
 with lock lever


Page 6

**ARI-ZIVA®-Z / ARI-ZIVA®-G**  
 with worm gear

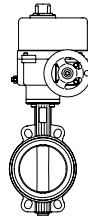
- With variable adjustment
- Self-locking



Page 6

**ARI-ZIVA®-Z / ARI-ZIVA®-G**  
 with electric rotary actuator ARI-OM

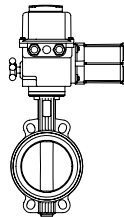
- For short time duty S 2-5 Min. (Periodic duty S3 30% ED)
- 230V 50Hz, 24V DC, 24V 50Hz
- Enclosure IP 67



Page 7

**ARI-ZIVA®-Z / ARI-ZIVA®-G**  
 with electric rotary actuator Deufra

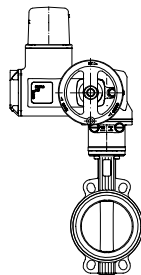
- Type of operation, on/off S4 30% (for control S4 50%)
- 230V 50Hz (400V 50Hz)
- Enclosure IP 67



Page 8

**ARI-ZIVA®-Z / ARI-ZIVA®-G**  
 with electric rotary actuator Auma

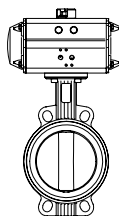
- For short time duty S 2-15 Min. (for control S4 25%)
- 400V 50Hz (230V 50Hz)
- Enclosure IP 68



Page 9

**ARI-ZIVA®-Z / ARI-ZIVA®-G**  
 with pneumatic rotary actuator AIR-TORQUE / bar

- Function: Double acting
- Function: Single acting, Spring closes on air failure (opens)
- Actuating pressure 6 bar (=0,6 MPa)



Page 10 / 11


**Fig. 014 -**  
**ARI-ZIVA®-Z**

**Fig. 015 -**  
**ARI-ZIVA®-G**
**Features:**

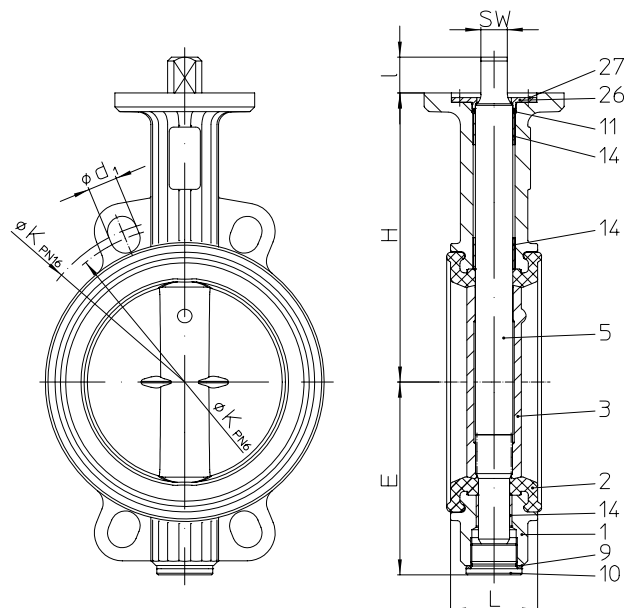
- Soft sealing
- Maintenance-free
- Good flow characteristic due to excellent Zeta-values
- Nodular iron body
- High quality epoxyd coating
- EPDM (W270) / NBR / FPM lining
- Changeable lining, body detachable
- Straight through spindle with 3 supports
- Spindle blow out protection
- Stainless steel disc
- Shaft / Disc connection not in contact with the medium
- Complete insulation possible according to the german „Energy saving order - EnEV“
- Central disc bearing
- Slip on flange DIN EN 1092-1
- EPDM with DIN DVGW Reg. drinking water (NW6201BQ0460)
- NBR-black with DIN DVGW Reg. Gas (NG4313BQ0462)
- NBR-white acc. to Directive for Material and article in contact with food decision

**ARI-ZIVA®-Z:**

- **Wafer type**

**ARI-ZIVA®-G:**

- **Lug type**
- As a pipe-end valve
- Pipeline one-side detachable

**Butterfly valve with elongated eyelets - industrial range (SG iron)**


Constructions	
DN25-65	DN80-100
DN125-150	DN200
DN250-300	DN350
DN400	DN450-600

Considered standards:	• EN 593 (EN-JS1030, EN-JS1049)
-----------------------	---------------------------------

Figure	Nominal pressure	Material	Nominal diameter	Disc	Stem
20.014 (included in 22.014)	PN6	EN-JS1030 (EN-JS1049 on request)	DN25-600	1.4581	1.4021+QT (optional: 1.4571)
21.014 (included in 22.014)	PN10		DN25-600		
22.014	PN16		DN25-600		

<b>Seat:</b>	
• EPDM -10 °C to +130 °C / NBR-black -10 °C to +80 °C / NBR-white -10 °C to +80 °C / FPM 0 °C to +150 °C (not for hot water useable)	
<b>Max. differential pressure:</b>	
• 16 bar (DN25-150) / 10 bar (DN200-600) / 10 bar (NBR-white DN25-300)	
<b>Actuation arrangement:</b> <span style="float: right;">(refer to page 6-11)</span>	
• Notch lever / Lock lever / Worm gear • Electric actuator (ARI-OM, Deufra, Auma) / Pneumatic actuator (AIR-TORQUE, bar)	
<b>Test:</b>	
Sealing leakage test:	• EN 12266-1 Leakage rate A (DIN 3230 T3 Leakage rate 1)
DVGW-Registration:	• EPDM DN25/32-600 for drinking water. Reg.-No. NW-6201BQ0460 acc. to DIN EN 1074-1/-2 • NBR-black DN25/32-600 for gas. Reg.-No. NG-4313BQ0462 acc. to DIN EN 13774 (Operating range - 10 °C to + 60 °C)
Directive for Material and article in contact with food decision:	• NBR-white DN25-200 (acc. to EG/1935/2004)

Parts			
Pos.	Sp.p.	Description	Fig. 20./21./22.014
1		Body	EN-GJS-400-15, EN-JS1030 (EN-GJS-400-18U-LT, EN-JS1049 on request)
2	x	Seat	EPDM 73 / NBR 73 (black) / NBR 68 (white) / FPM 73
3		Disc	GX5CrNiMoN19-11-2, 1.4581
5		Stem	X20Cr13+QT, 1.4021+QT (optional: X6CrNiMoTi17 12 2, 1.4571)
9	x	Gasket	CU
10	x	Hexagon head screw plug	5.8-A2G
11	x	O-ring	EPDM 73 / NBR 73 / FPM 73
14		Parallel bush	P1
26	x	Washer for shaft protection	X20Cr13+QT, 1.4021+QT
27	x	Countersunk screw	8.8-A2G
L Spare parts			

Information / restriction of technical rules need to be observed!

 Operating and installation instructions can be downloaded at [www.ari-armaturen.com](http://www.ari-armaturen.com).

The engineer, designing a system or a plant, is responsible for the selection of the correct valve.

Resistance and fitness must be verified (contact manufacturer for information, refer to Product overview and Resistance list).

DN	25	32	40	50	65	80	100	125	150	200	250	300	350	400	450	500	600
----	----	----	----	----	----	----	-----	-----	-----	-----	-----	-----	-----	-----	-----	-----	-----

Face-to-face dimension FTF series 20 acc. to DIN EN 558-1																		
L	(mm)	33	33	33	43	46	46	52	56	56	60	68	78	78	102	114	127	154

Dimensions																		
H	(mm)	117	117	123	129	139	147	168	186	202	236	263	292	358	407	442	495	555
E	(mm)	58	58	66	69	81	100	109	124	140	167	203	232	257	298	319	356	418
I	(mm)	19	19	19	19	19	19	23	23	23	24	24	24	29	39	38	48	
SW	(mm)	11	11	11	11	11	11	17	17	17	22	22	22	27	36	36	46	

Kvs-value / Zeta-value <span style="float: right;">Diagram refer to page 13.</span>																		
Kvs-value	(m³/h)	20	24	41	98	190	302	550	930	1525	3000	5000	7300	10260	13140	15200	20750	30430
Zeta-value	--	1,52	2,93	2,42	1,03	0,79	0,72	0,53	0,45	0,35	0,29	0,25	0,24	0,23	0,24	0,28	0,23	0,22

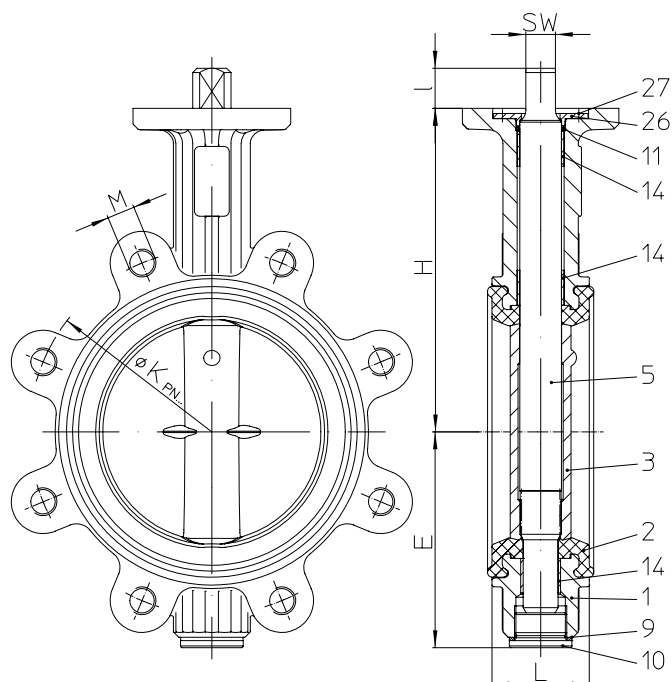
Standard-flange dimensions / Hexagon screw (Quantity, Thread, Length)																						
PN6	ØK	(mm)	75	90	100	110	130	150	170	200	225	280	335	395	445	495	--	600	705			
	n x Ød1	(mm)	4x11	4x14	4x14	4x14	4x14	4x18	4x18	4x18	4x18	4x18	4x18	4x22	8x22	4x22	--	4x22	4x26			
	Screws	(pcs.)	4	4	4	4	4	4	4	8	8	8	12	12	12	16	--	16	8	16	8	
	Thread		M10	M12	M12	M12	M12	M16	M16	M16	M16	M16	M16	M20	M20	M20	--	M20	M20	M24	M24	
	Length	(mm)	80	80	80	90	90	100	110	120	120	130	140	160	160	180	--	220	50	250	70	
PN10	ØK	(mm)	85	100	110	125	145	160	180	210	240	295	350	400	460	515	565	620	725			
	n x Ød1	(mm)	4x18	4x18	4x18	4x18	4x18	4x18	4x18	4x22	4x22	4x22	4x22	4x22	4x22	4x28	4x28	4x28	4x36			
	Screws	(pcs.)	4	4	4	4	4	8	8	8	8	8	12	12	16	16	16	8	16	8	16	8
	Thread		M12	M16	M16	M16	M16	M16	M16	M20	M20	M20	M20	M20	M24	M24	M24	M24	M24	M24	M27	M27
	Length	(mm)	90	90	90	100	110	110	120	130	130	140	150	160	160	200	200	70	220	50	260	70
PN16	ØK	(mm)	85	100	110	125	145	160	180	210	240	295	355	410	470	525	585	650	770			
	n x Ød1	(mm)	4x14	4x18	4x18	4x18	4x18	4x18	4x18	4x22	4x22	4x26	4x26	4x26	4x30	4x30	4x30	4x33	4x36			
	Screws	(pcs.)	4	4	4	4	4	8	8	8	8	12	12	12	16	16	16	8	16	8	16	8
	Thread		M12	M16	M16	M16	M16	M16	M16	M20	M20	M24	M24	M24	M27	M27	M27	M30	M30	M33	M33	
	Length	(mm)	90	90	90	100	110	110	120	130	130	140	160	170	180	220	220	75	260	70	320	90

Weights																		
Fig. 20./21./22.014	(kg)	1,3	1,3	1,6	2,2	2,7	3,4	4,4	6,4	7,9	11,8	21	30,4	46,8	72	128	132,8	217,3

Mounting variations	
	<p><b>ZIVA®-Z-Wafer-type-valve</b>  Welding neck flanges  PN 6 / PN 10 / PN 16  DIN EN 1092-1 / 11 / B1  Hexagon screw  DIN EN ISO 4016 W.-No. 4.6  Hexagon nut  DIN EN ISO 4034 W.-No. 5</p> <p style="text-align: right;"><b>The installation between, to above deviating flanges, is not or under special care possible. Please consult us.</b></p>

**Pressure-temperature-ratings** Intermediate values for max. permissible operational pressures can be determined by linear interpolation of the given temperature / pressure chart.

acc. to DIN EN 1092-2	PN		-20°C to <-10°C	-10°C to 120°C	130°C	150°C
EN-JS1030	16	(bar)	--	16	15,8	15,5
EN-JS1049	16	(bar)	16	16	15,8	15,5

**Butterfly valve with threaded eyelets - industrial range (SG iron)**


Considered standards:	• EN 593 (EN-JS1030, EN-JS1049)
-----------------------	---------------------------------

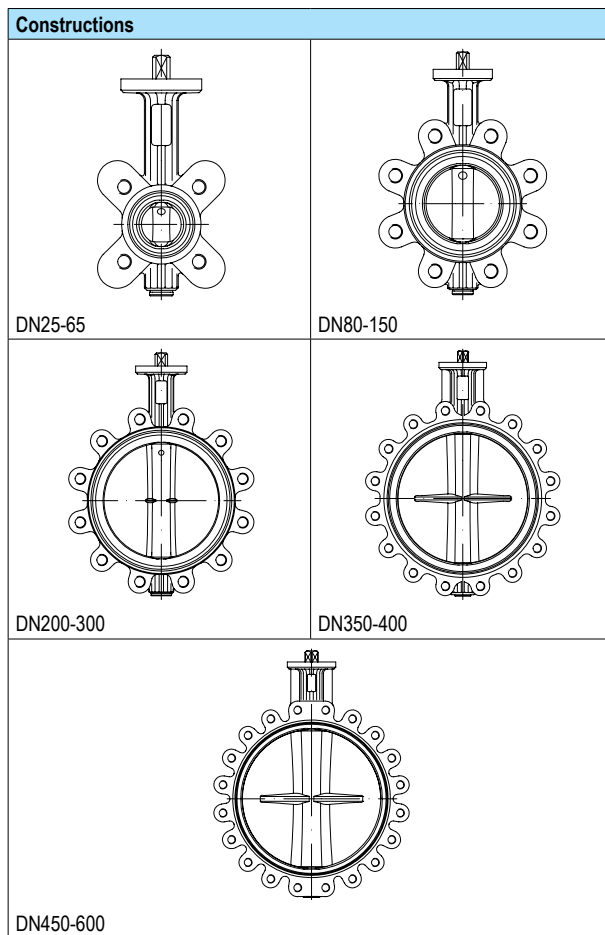


Figure	Nominal pressure	Material	Nominal diameter	Disc	Stem
21.015	PN10	EN-JS1030	DN25-600	1.4581	1.4021+QT (optional: 1.4571)
22.015	PN16	(EN-JS1049 on request)	DN25-600		

<b>Seat:</b>	
• EPDM -10 °C to +130 °C / NBR-black -10 °C to +80 °C / NBR-white -10 °C to +80 °C / FPM 0 °C to +150 °C (not for hot water useable)	
<b>Max. differential pressure:</b>	
• 16 bar (DN25-150) / 10 bar (DN200-600) / 10 bar (NBR-white DN25-200)	
<b>Actuation arrangement:</b> (refer to page 6-11)	
• Notch lever / Lock lever / Worm gear • Electric actuator (ARI-OM, Deufra, Auma) / Pneumatic actuator (AIR-TORQUE, bar)	
<b>Test:</b>	
Sealing leakage test:	• EN 12266-1 Leakage rate A (DIN 3230 T3 Leakage rate 1)
DVGW-Registration:	• EPDM DN25/32-600 for drinking water. Reg.-No. NW-6201BQ0460 acc. to DIN EN 1074-1/-2 • NBR-black DN25/32-600 for gas. Reg.-No. NG-4313BQ0462 acc. to DIN EN 13774 (Operating range - 10 °C to + 60 °C)
Directive for Material and article in contact with food decision:	• NBR-white DN25-200 (acc. to EG/1935/2004)

Parts			
Pos.	Sp.p.	Description	Fig. 20./21./22.014
1		Body	EN-GJS-400-15, EN-JS1030 (EN-GJS-400-18U-LT, EN-JS1049 on request)
2	x	Seat	EPDM 73 / NBR 73 (black) / NBR 68 (white) / FPM 73
3		Disc	GX5CrNiMoN19-11-2, 1.4581
5		Stem	X20Cr13+QT, 1.4021+QT (optional: X6CrNiMoTi17 12 2, 1.4571)
9	x	Gasket	CU
10	x	Hexagon head screw plug	5.8-A2G
11	x	O-ring	EPDM 73 / NBR 73 / FPM 73
14		Parallel bush	P1
26	x	Washer for shaft protection	X20Cr13+QT, 1.4021+QT
27	x	Countersunk screw	8.8-A2G
L Spare parts			

Information / restriction of technical rules need to be observed!

Operating and installation instructions can be downloaded at [www.ari-armaturen.com](http://www.ari-armaturen.com).

The engineer, designing a system or a plant, is responsible for the selection of the correct valve.

Resistance and fitness must be verified (contact manufacturer for information, refer to Product overview and Resistance list).

DN	25	32	40	50	65	80	100	125	150	200	250	300	350	400	450	500	600
----	----	----	----	----	----	----	-----	-----	-----	-----	-----	-----	-----	-----	-----	-----	-----

Face-to-face dimension FTF series 20 acc. to DIN EN 558-1																		
L	(mm)	33	33	33	43	46	46	52	56	56	60	68	78	78	102	114	127	154

Dimensions																		
H	(mm)	117	117	123	129	139	147	168	186	202	236	263	292	358	407	442	495	555
E	(mm)	58	58	66	69	81	100	109	124	140	167	203	232	257	298	319	356	418
I	(mm)	19	19	19	19	19	19	23	23	23	24	24	24	29	39	38	48	
SW	(mm)	11	11	11	11	11	11	17	17	17	22	22	22	27	36	36	46	

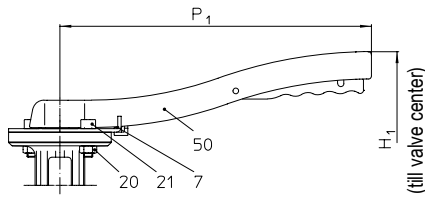
Kvs-value / Zeta-value																	Diagram refer to page 13.	
Kvs-value	(m³/h)	20	24	41	98	190	302	550	930	1525	3000	5000	7300	10260	13140	15200	20750	30430
Zeta-value	--	1,52	2,93	2,42	1,03	0,79	0,72	0,53	0,45	0,35	0,29	0,25	0,24	0,23	0,24	0,28	0,23	0,22

Standard-flange dimensions / Hexagon screw (Quantity, Thread, Length)																						
PN10	ØK	(mm)	85	100	110	125	145	160	180	210	240	295	350	400	460	515	565	620	725			
	n x M	(mm)	4xM12	4xM16	4xM16	4xM16	4xM16	8xM16	8xM16	8xM16	8xM20	8xM20	12xM20	12xM20	16xM20	16xM24	20xM24	20xM24	20x27			
	Screws	(pcs.)	8	8	8	8	8	16	16	16	16	16	24	24	32	32	32	8	32	8	32	8
	Thread		M12	M16	M16	M16	M16	M16	M16	M16	M20	M20	M20	M20	M20	M24	M24	M24	M24	M24	M27	M27
	Length	(mm)	30	30	30	35	35	40	40	45	45	50	55	55	60	70	80	70	85	50	100	70
PN16	ØK	(mm)	85	100	110	125	145	160	180	210	240	295	355	410	470	525	585	650	770			
	n x M	(mm)	4xM12	4xM16	4xM16	4xM16	4xM16	8xM16	8xM16	8xM16	8xM20	12xM20	12xM24	12xM24	16xM24	16xM27	20xM27	20xM30	20xM33			
	Screws	(pcs.)	8	8	8	8	8	16	16	16	16	24	24	24	32	32	32	8	32	8	32	8
	Thread		M12	M16	M16	M16	M16	M16	M16	M16	M20	M20	M24	M24	M24	M27	M27	M27	M30	M30	M33	M33
	Length	(mm)	30	30	30	35	35	40	40	45	45	50	55	60	60	75	85	75	100	70	120	90

Weights																		
Fig. 21./22.015	(kg)	1,8	1,8	2	2,7	3,2	4,8	6,2	8,6	10,5	15,8	26,6	37,6	60	93,4	129	175,7	286,5

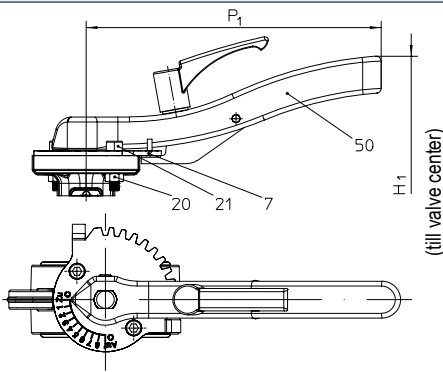
Mounting variations		
		<p>When used on end of line applications, a safety precaution (blind flange, etc.) is recommended.</p> <p><b>To ensure the seat tightness, a blind or counter flange is necessary.</b></p> <p>The installation between deviating flanges is not or only under special care possible. Please consult us.</p> <p><b>For all installation, modification or maintenance work, please observe regulations in force and the ARI-operating instructions.</b></p>
<p><b>ZIVA®-G-Wafer-type-valve</b> Welding neck flanges PN 10 / PN 16 DIN EN 1092-1 / 11 / B1 Hexagon screw DIN EN ISO 4016 W.-No. 4.6</p>	<p><b>ZIVA®-G-Pipe-end-valve</b> Welding neck flanges PN 10 / PN 16 DIN EN 1092-1 / 11 / B1 Hexagon screw DIN EN ISO 4016 W.-No. 4.6</p>	

Pressure-temperature-ratings		Intermediate values for max. permissible operational pressures can be determined by linear interpolation of the given temperature / pressure chart.			
acc. to DIN EN 1092-2	PN	-20°C to <-10°C	-10°C to 120°C	130°C	150°C
EN-JS1030	16 (bar)	--	16	15,8	15,5
EN-JS1049	16 (bar)	16	16	15,8	15,5

**ARI-ZIVA®-Z / ARI-ZIVA®-G with manual actuation arrangement**
**Notch lever**


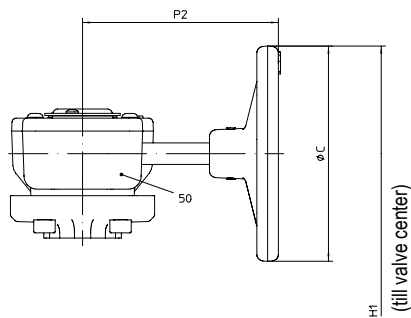
For diameters larger than DN 125 we recommend using a gear mechanism. Gear recommended for inaccessible installation (see below).

**Note:**  
If seat is of NBR-white, from DN125 upwards a gear is necessary!

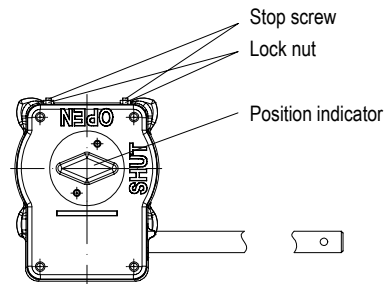
**Lock lever**


- Cap convertible for lock lever
- Variable adjustment (with 0 - 90° angle positioning) (With variable adjustment)

For diameters larger than DN 125 we recommend using a gear mechanism. Gear recommended for inaccessible installation (see below).

**Worm gear**


- With variable adjustment
- Self-locking



The SHUT-position can be adjusted to  $\pm 5^\circ$  by a locking screw.

Parts		Fig. 20./21./22.014; 21./22.015																	
Pos.	Sp.p.	Description																	
7	x	Lever cap	S235JR, 1.0037 (KTL-coating)																
20	x	Hexagon nut	5-A2B																
21	x	Cheese head screw	8.8-A2B																
50		Notch lever	EN-GJS-400-15, EN-JS1030 (KTL-coating)																
50		Lock lever	DC01, 1.0330 (surface treatment)																
50		Worm gear																	
		L Spare parts																	

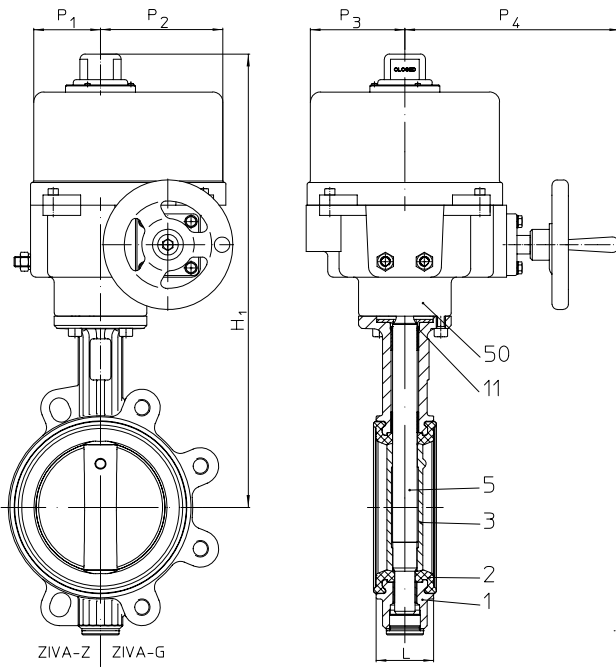
DN	25	32	40	50	65	80	100	125	150	200	250	300	350	400	450	500	600
----	----	----	----	----	----	----	-----	-----	-----	-----	-----	-----	-----	-----	-----	-----	-----

**Dimensions**

H1	with lever	(mm)	180	180	186	192	202	210	231	257	273	307	--	--	--	--	--	--	
	with gear	(mm)	199	199	205	211	221	229	250	268	284	339	415	445	510	591	780	833	903
P1	(mm)	184	184	184	184	184	184	184	273	273	273	--	--	--	--	--	--	--	
P2	(mm)	147	147	147	147	147	147	147	147	147	147	249	244	244	333	361	361	365	
ØC	(mm)	125	125	125	125	125	125	125	125	125	125	250	250	250	300	600	600	600	
Type of gear			242-10S	242-10S	242-10S	242-10S	242-10S	242-10S	242-10S	242-10M	242-10M	242-10M	242-20M	242-30S	242-30S	242-30L	242-40M	242-40M	AB1250N

**Weights**

ZIVA®-Z	with lever	(kg)	2	2	2,4	2,9	3,5	4,1	5,1	7,7	9,2	13,1	--	--	--	--	--	--	
ZIVA®-G		(kg)	2,6	2,5	2,7	3,5	4,1	5,6	6,9	9,9	11,8	17,1	--	--	--	--	--	--	--
ZIVA®-Z	with gear	(kg)	3,2	3,2	3,5	4,1	4,6	5,3	6,3	8,3	9,8	13,7	26	35,4	51,8	80,5	139	164	248
ZIVA®-G		(kg)	3,7	3,7	3,9	4,6	5,2	6,8	8,1	10,5	12,4	17,7	31,6	42,6	65	102	140	207	317

**Butterfly valve with electric rotary actuator**


<b>Type: ARI-OM</b>
<ul style="list-style-type: none"> <li>• For short time duty S 2-5 Min. (Periodic duty S3 30% duty cycle, max. 60 c/h, max. modulating torque = ca. 50% rated torque)</li> <li>• Enclosure IP 67</li> <li>• Temperature guard in the motor</li> </ul>
<b>Voltages:</b>
<ul style="list-style-type: none"> <li>• 230V 50Hz</li> <li>• 24V AC/DC</li> </ul> (Other voltages on request)
<b>Accessories:</b>
<ul style="list-style-type: none"> <li>• Potentiometer (1000 Ohm)</li> <li>• Positioner 4-20 mA</li> <li>• Position-transmitter 4-20 mA</li> <li>• Heating</li> <li>• Travel switch</li> </ul>

**For connection refer to terminal connection in the operating instructions of the actuator !**

<b>Seat: EPDM / NBR-black / FPM</b>												
<b>DN</b>	<b>25</b>	<b>32</b>	<b>40</b>	<b>50</b>	<b>65</b>	<b>80</b>	<b>100</b>	<b>125</b>	<b>150</b>	<b>200</b>	<b>250</b>	<b>300*</b>

<b>Actuator</b>												
Type of actuator	OM-1						OM-A	OM-2	OM-3	OM-4		
Operating time (s)	13						24	17	26	18		

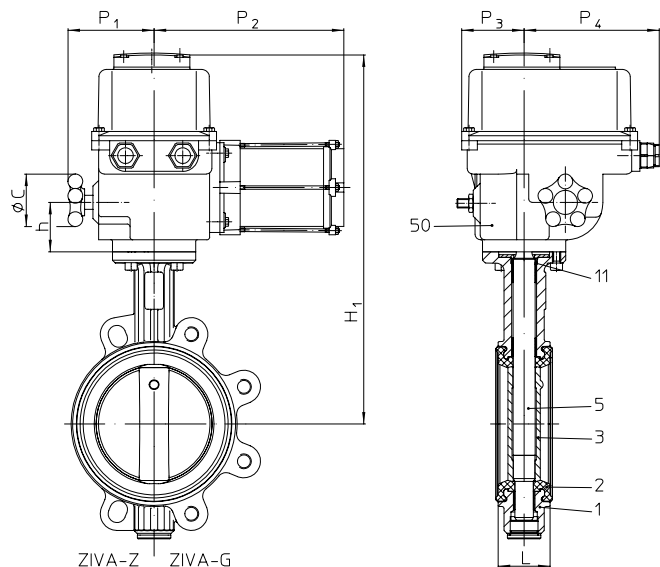
<b>Dimensions</b>													
H1	(mm)	267	267	273	279	289	297	368	441	457	491	583	612
P1	(mm)	35	35	35	35	35	35	54	82	82	82	94	94
P2	(mm)	80	80	80	80	80	80	54	118	118	118	126	126
P3	(mm)	54	54	54	54	54	54	54	100	100	100	110	110
P4	(mm)	54	54	54	54	54	54	54	230	230	230	262	262

<b>Weights</b>													
ZIVA®-Z	(kg)	3,3	3,3	3,6	4,2	4,7	5,4	7,4	15,4	16,9	20,8	38,5	47,9
ZIVA®-G	(kg)	3,8	3,8	4,0	4,7	5,3	6,8	9,2	17,6	19,5	24,8	44,1	55,1

**Seat NBR-white on request.**

\* Max. differential pressure against tight shut off 6 bar.

Operating and installation instructions can be downloaded at [www.ari-armaturen.com](http://www.ari-armaturen.com).

**Butterfly valve with electric rotary actuator**

**Type: Deufra**

- Type of operation on/off S4 30% (optional: for control S4 50%)
- Enclosure IP 67
- Temperature guard in the motor
- Heating

**Voltages:**

- 230V 50Hz
  - 400V 50Hz (nicht bei SQ4)
- Other voltages on request

**Accessories:**

- Travel switch
- Potentiometer
- Valve positioner 0-10V / 4-20mA
- Position-transmitter

**Special actuators:**

- Reset to start on failure Type FQ

**For connection refer to terminal connection in the operating instructions of the actuator !**

**Seat: EPDM / NBR-black / FPM**

DN	25	32	40	50	65	80	100	125	150	200	250	300	350	400	450	500	600
----	----	----	----	----	----	----	-----	-----	-----	-----	-----	-----	-----	-----	-----	-----	-----

**Actuator**

Type of actuator	SQ4				SQ6	SQ10	SQ15	SQ25	SQ60	SQ120	SQ250
Operating time (s)	6				6	6	15	10	30	30	70

**Dimensions**

Dimension	(mm)	25	32	40	50	65	80	100	125	150	200	250	300	350	400	450	500	600
H1	(mm)	341	341	347	353	363	371	392	410	426	460	443	517	583	618	655	706	836
h	(mm)	53	53	53	53	53	53	53	53	53	53	100	100	100	86	86	86	70
ØC	(mm)	60	60	60	60	60	60	60	60	60	100	160	250	250	250	250	250	300
P1	(mm)	90	90	90	90	90	90	90	90	90	98	167	169	169	172	172	172	475
P2	(mm)	160	160	160	160	160	160	202	202	202	260	312	340	340	392	392	392	188
P3	(mm)	65	65	65	65	65	65	65	65	65	65	89	89	89	133	133	133	130
P4	(mm)	125	125	125	125	125	125	125	125	125	125	226	226	226	284	284	284	333

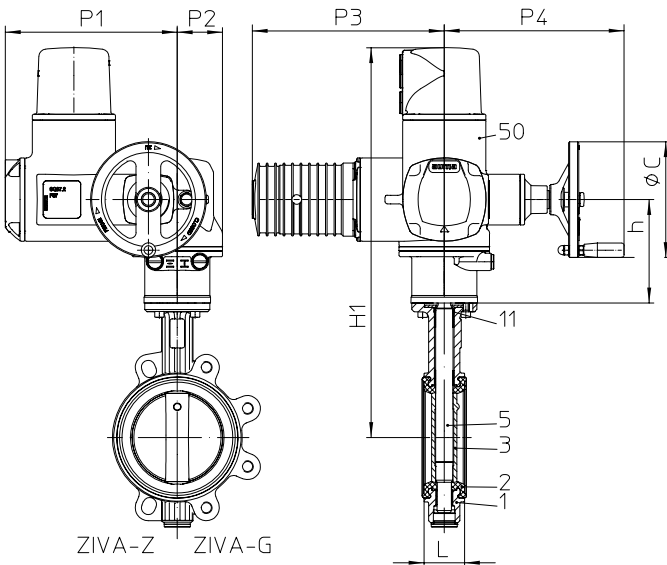
**Weights**

Model	(kg)	25	32	40	50	65	80	100	125	150	200	250	300	350	400	450	500	600
ZIVA®-Z	(kg)	7,3	7,3	7,6	8,2	8,7	9,4	10,4	13,4	14,9	19,8	41	49,4	65,8	101	159	161,8	287,2
ZIVA®-G	(kg)	7,8	7,8	8	8,7	9,3	10,9	12,2	15,6	17,5	23,8	46,6	56,6	79	122,4	160	204,7	356,2

**Seat NBR-white on request.**

Operating and installation instructions can be downloaded at [www.ari-armaturen.com](http://www.ari-armaturen.com).



**Butterfly valve with electric rotary actuator**


<b>Type: Auma</b>
<ul style="list-style-type: none"> <li>• For short time duty S 2-15 Min. (for control S4 25%)</li> <li>• Enclosure IP 68</li> <li>• Temperature guard in the motor</li> <li>• Heating</li> </ul>
<b>Voltages:</b>
<ul style="list-style-type: none"> <li>• 400V 50Hz</li> <li>• 230V 50Hz</li> </ul> (Other voltages on request)
<b>Accessories:</b>
<ul style="list-style-type: none"> <li>• Travel switch</li> <li>• Potentiometer</li> <li>• Auma Matic</li> <li>• Valve positioner 0-10V / 4-20mA</li> <li>• Position-transmitter</li> </ul>

For connection refer to terminal connection in the operating instructions of the actuator !

<b>Seat: EPDM / NBR-black / FPM</b>																	
<b>DN</b>	25	32	40	50	65	80	100	125	150	200	250	300	350	400	450	500	600

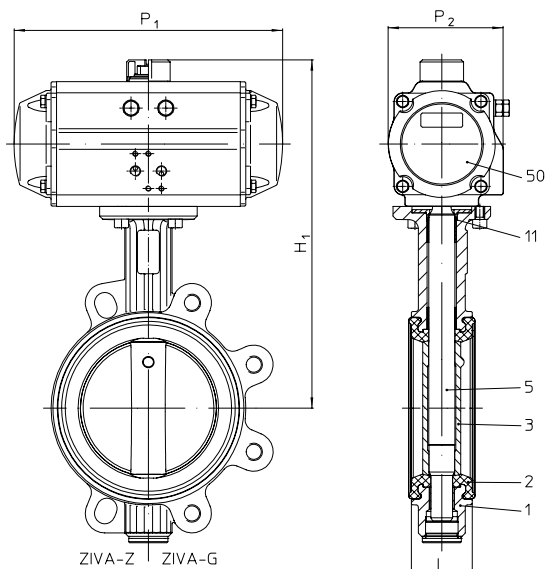
<b>Actuator</b>																	
Type of actuator	SQ05.2											SQ07.2	SQ10.2	SQ12.2	SA07.5 +VZ+SG		
Operating time (s)	16											16	16	22	69		

<b>Dimensions</b>																		
H1	(mm)	461	461	467	473	483	491	512	530	546	580	633	653	719	832	869	920	867
h	(mm)	134	134	134	134	134	134	134	134	134	134	160	151	151	215	215	215	115
ØC	(mm)	160	160	160	160	160	160	160	160	160	160	160	200	200	200	200	200	160
P1	(mm)	238	238	238	238	238	238	238	238	238	238	238	248	248	248	248	248	194
P2	(mm)	62,5	62,5	62,5	62,5	62,5	62,5	62,5	62,5	62,5	62,5	62,5	80	80	105	105	105	537
P3	(mm)	265	265	265	265	265	265	265	265	265	265	265	265	265	265	265	265	139
P4	(mm)	249	249	249	249	249	249	249	249	249	249	249	254	254	254	254	254	374

<b>Weights</b>																		
ZIVA®-Z	(kg)	24,3	24,3	24,6	25,2	25,7	26,4	27,4	29,4	30,9	34,8	44,5	57,4	73,8	104	161	164,8	286,7
ZIVA®-G	(kg)	24,8	24,8	25	25,7	26,2	27,8	29,2	31,6	33,5	38,8	50,1	64,6	87	125,4	163	207,7	356

Seat NBR-white on request.

Operating and installation instructions can be downloaded at [www.ari-armaturen.com](http://www.ari-armaturen.com).

**Butterfly valve with pneumatic rotary actuator**


<b>Type: AIR TORQUE</b>	
<ul style="list-style-type: none"> <li>• Function: double acting single acting, Spring closes on air failure (opens)</li> <li>• Actuating pressure 6 bar (=0,6 MPa)</li> <li>• Position indicator</li> </ul>	
<b>Accessories:</b>	
<ul style="list-style-type: none"> <li>• Limit switch open / close</li> <li>• Solenoid valve</li> <li>• Exhaust silencer with throttling function</li> <li>• Valve positioner</li> </ul> Other actuating pressures on request	
<b>Solenoid valve:</b> for control of double acting actuators <b>5/2 - way</b>	
<b>Solenoid valve:</b> for control of single acting actuators <b>3/2 - way</b>	

For connection refer to terminal connection in the operating instructions of the actuator !

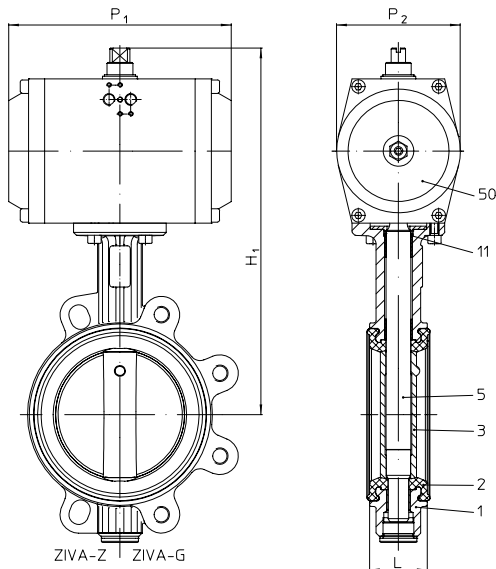
<b>Seat: EPDM / NBR-black / FPM</b>																	
<b>DN</b>	<b>25</b>	<b>32</b>	<b>40</b>	<b>50</b>	<b>65</b>	<b>80</b>	<b>100</b>	<b>125</b>	<b>150</b>	<b>200</b>	<b>250</b>	<b>300</b>	<b>350</b>	<b>400</b>	<b>450</b>	<b>500</b>	<b>600</b>

<b>double acting</b>	<b>Actuator</b>																		
	Type of actuator	DR30						DR60	DR100	DR150	DR220	DR450	DR600	DR900	DR1200	DR3000			
	<b>Dimensions</b>																		
	H1	(mm)	222	222	228	234	244	252	290	321	337	383	438	499	565	625	713	782	935
	P1	(mm)	159	159	159	159	159	159	211	248	248	269	315	409	409	438	474	543	728
	P2	(mm)	83	83	83	83	83	83	95	106	106	123	141	172	172	187	200	222	329
<b>Weights</b>																			
ZIVA®-Z	(kg)	2,9	2,9	3,2	3,8	4,3	5	7	10,2	11,7	17,2	29,4	44,9	61,3	91,8	153	186,3	300,2	
ZIVA®-Z	(kg)	3,4	3,4	3,6	4,3	4,9	6,5	8,9	12,4	14,3	21,2	35	52	74,5	113,2	154	211,2	369,5	

<b>single acting</b>	<b>Actuator</b>																		
	Type of actuator (closes)	SC 30-6			SC 60-6	SC 100-6	SC 150-6	SC 220-6	SC 300-6	SC 450-6	SC 600-6	SC 1200-6	SC 2000-6	SC 2000-6	SC 3000-6				
	Type of actuator (opens)	SO 30-5			SO 60-5	SO 100-5	SO 150-5	SO 220-5	SO 300-5	SO 450-5	SO 900-5	SO 1200-5	SO 2000-6	SO 2000-6	SO 2000-5				
	<b>Dimensions</b>																		
	H1	(mm)	222	222	228	234	261	282	315	361	389	443	490	587	653	756	791	867	--
	P1	(mm)	159	159	159	159	211	248	269	315	345	409	438	543	543	621	605	684	--
P2	(mm)	83	83	83	83	95	106	123	141	152	172	187	222	222	262	262	330	--	
<b>Weights</b>																			
ZIVA®-Z	(kg)	3	3	3,3	3,9	5,9	7,8	10,9	16,2	20,5	29,9	45	75,5	91,9	136,2	162	235	--	
ZIVA®-Z	(kg)	3,5	3,5	3,7	4,2	6,5	9,3	12,7	18,4	23,1	33,9	50,6	82,7	105,1	157,6	163	277,9	--	

**Seat NBR-white on request.**

Operating and installation instructions can be downloaded at [www.ari-armaturen.com](http://www.ari-armaturen.com).

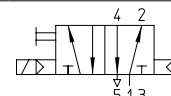
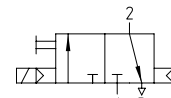
**Butterfly valve with pneumatic rotary actuator**

**Type: bar**

- Function: double acting  
single acting, Spring closes on air failure (opens)
- Actuating pressure 6 bar (=0,6 MPa)

**Accessories:**

- Limit switch open / close
- Solenoid valve
- Exhaust silencer with throttling function
- Position indicator
- Valve positioner

Other actuating pressures on request

**Solenoid valve:**  
 for control of double acting actuators  
**5/2 - way**

**Solenoid valve:**  
 for control of single acting actuators  
**3/2 - way**

**For connection refer to terminal connection in the operating instructions of the actuator !**
**Seat: EPDM / NBR-black / FPM**

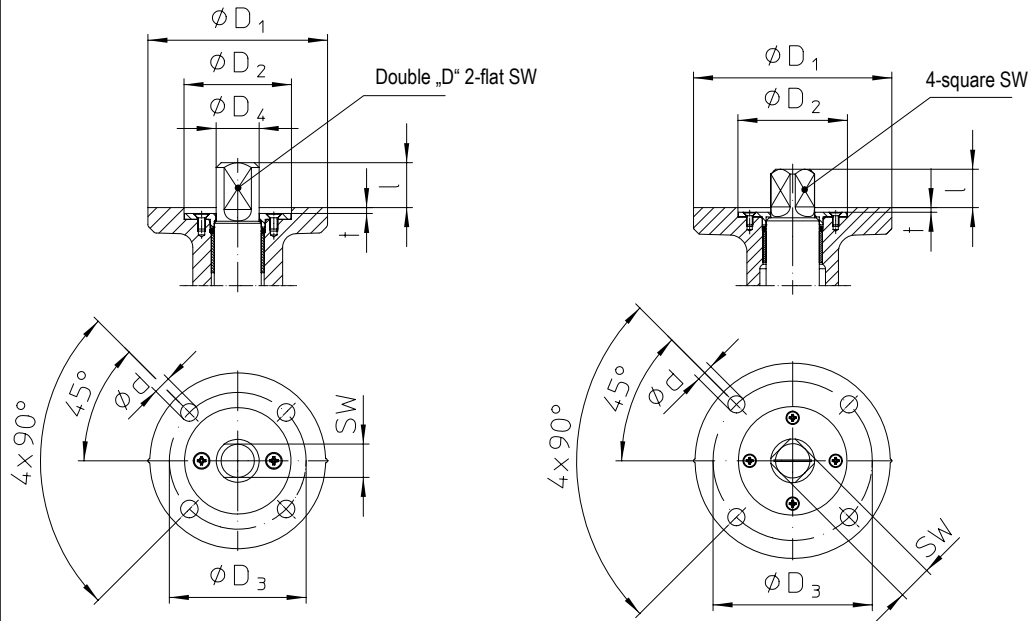
DN	25	32	40	50	65	80	100	125	150	200	250	300	350	400	450	500	600
----	----	----	----	----	----	----	-----	-----	-----	-----	-----	-----	-----	-----	-----	-----	-----

		<b>Actuator</b>																				
		GTD 58/90					GTD 68/90		GTD 98/90		GTD 110/90		GTD 115/90		GTD 143/90		GTD 163/90		GTD 185/90		GTD 210/90	
double acting	<b>Dimensions</b>																					
	H1	(mm)	221	221	227	233	243	265	286	333	349	406	433	520	586	635	727	780	887			
	P1	(mm)	127	127	127	127	127	140	140	209	209	222	292	337	337	377	422	462	683			
	P2	(mm)	72	72	72	72	72	82	82	108	108	120	120	172	172	172	224	224	272			
		<b>Weights</b>																				
	ZIVA®-Z	(kg)	2,2	2,2	2,5	3	3,6	4,9	5,8	9,8	11,3	17	28,1	44,8	61,2	88,4	157	164,6	286,4			
	ZIVA®-Z	(kg)	2,7	2,7	2,9	3,6	4,2	6,3	7,6	12	13,9	21	33,7	52	74,4	109,8	158	207,5	355,7			

		<b>Actuator</b>																						
		GTE 68/90					GTE 78/90		GTE 88/90		GTE 98/90		GTE 110/90		GTE 115/90		GTE 127/90		GTE 143/90		GTE 210/90		GTE 250/90	
single acting	<b>Dimensions</b>																							
	H1	(mm)	235	235	241	247	269	285	338	356	372	426	491	577	643	739	774	827	--					
	P1	(mm)	140	140	140	140	161	182	222	222	292	298	337	462	462	603	609	603	--					
	P2	(mm)	82	82	82	82	94	100	120	120	120	137	172	224	224	272	272	272	--					
		<b>Weights</b>																						
	ZIVA®-Z	(kg)	2,9	2,9	3,2	3,8	5,2	6,4	8,4	12,6	16,3	22,5	39	70	86,4	142,6	195	203,4	--					
	ZIVA®-Z	(kg)	3,5	3,4	3,6	4,3	5,8	7,8	10,2	14,8	18,8	26,5	44,7	77,2	99,6	164	201	246,3	--					

**Seat NBR-white on request.**

 Operating and installation instructions can be downloaded at [www.ari-armaturen.com](http://www.ari-armaturen.com).

**Actuator flange connection**

**DN25-200**
**DN250-600**

DN		25	32	40	50	65	80	100	125	150	200	250	300	350	400	450	500	600	
Connection EN ISO 5211					F 05				F 07				F 10			F 14		F16	
Double „D“ 2-flat SW	(mm)				11 <sub>d11</sub>				17 <sub>d11</sub>				--			--		--	
4-square SW	(mm)				--				--				22 <sub>d11</sub>		27 <sub>d11</sub>	36 <sub>d11</sub>		46 <sub>d11</sub>	
Ød	(mm)				7				9				11			18		22	
ØD1	(mm)				65				90				125			175		210	
ØD2	(mm)				35				55				70			100		130	
ØD3	(mm)				50				70				102			140		165	
ØD4	(mm)				14				22				--			--		--	
l	(mm)				19				23				24			29	39	38	48
t	(mm)				3				3				3			4		5	

**Please indicate when ordering:**

- Figure-No.
- Nominal pressure
- Nominal diameter
- Soft seal seat material
- Stem / disc material
- Actuation arrangement
- Special design / accessories

**Please indicate in your order, if the valves are to be installed in hazardous areas (ATEX).**

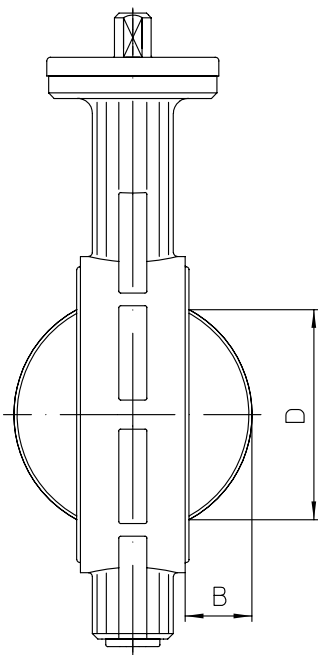
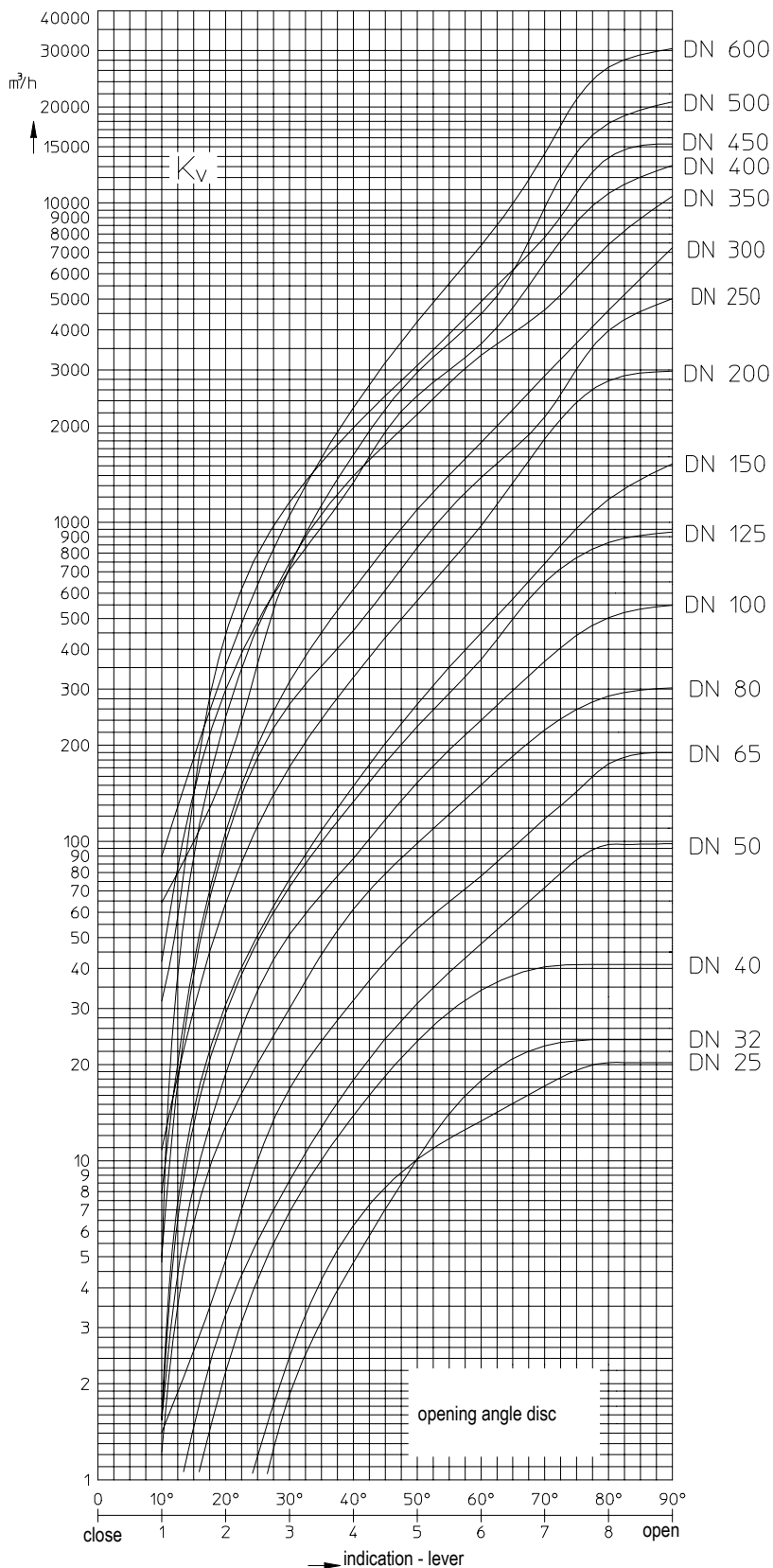
**Example:**

Figure 22.012; Nominal pressure PN16; Nominal diameter DN100; Seat aus EPDM, Washer/Stem of 1.4581/1.4021, with notch lever

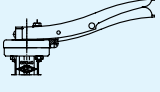
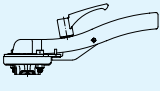
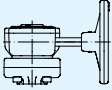
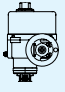
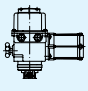
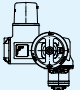
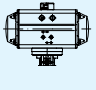
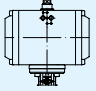
Kvs-value / Zeta-value		25	32	40	50	65	80	100	125	150	200	250	300	350	400	450	500	600
DN		25	32	40	50	65	80	100	125	150	200	250	300	350	400	450	500	600
Kvs-value	(m³/h)	20	24	41	98	190	302	550	930	1525	3000	5000	7300	10260	13140	15200	20750	30430
Zeta-value	--	1,52	2,93	2,42	1,03	0,79	0,72	0,53	0,45	0,35	0,29	0,25	0,24	0,23	0,24	0,28	0,23	0,22

**max. permissible flow speed:**

- Liquids  $\leq 4\text{m/s}$
- Gas and vapour  $\leq 30\text{m/s}$



Difference between disc outside-diameter and face-to-face		25	32	40	50	65	80	100	125	150	200	250	300	350	400	450	500	600
DN		25	32	40	50	65	80	100	125	150	200	250	300	350	400	450	500	600
B	(mm)	--	--	5	5	11	18	25	36	48	71	91	112	132	147	168	188	224
D	(mm)	--	--	26	29	49	68	88	115	142	194	243	292	333	383	436	486	580

Actuator selection (Seat: EPDM / NBR-black / FPM)												(Seat NBR-white on request)									
DN		25-50	65	80	100	125	150	200	250	300	350	400	450	500	600						
Connection-Flange EN ISO 5211		F 05				F 07			F 10			F 14		F 16							
Double „D“ 2-flat SW		(mm)		11 <sub>d11</sub>		17 <sub>d11</sub>			--			--		--							
4-square SW		(mm)		--		--			22 <sub>d11</sub>		27 <sub>d11</sub>	36 <sub>d11</sub>		46 <sub>d11</sub>							
Manual actuation		Size		I		II			--												
		Size		I		II			--												
		Type		242-10S		242-10M			242-20M	242-30S		242-30L	242-40M	242-40M	AB 1250N						
Electric rotary actuator		Type		OM-1		OM-A	OM-2	OM-3		OM-4		--									
		Type		SQ4		SQ6		SQ10	SQ15	SQ25	SQ60		SQ120		SQ250						
		Type		SQ05.2					SQ07.2	SQ10.2		SQ12.2		SA07.5 +VZ4.3 +SG 125.3							
Pneumatic rotary actuator		double acting		Type		DR30		DR60	DR100	DR150	DR220	DR450	DR600	DR900	DR1200	DR3000					
		single acting		Spring closes on air failure		Type		SC 30-6	SC 60-6	SC 100-6	SC 150-6	SC 220-6	SC 300-6	SC 450-6	SC 600-6	SC 1200-6		SC 2000-6	SC 2000-6	SC 3000-6	on request
		Spring opens		Type		SO 30-5	SO 60-5	SO 100-5		SO 150-5	SO 220-5		SO 450-5	SO 900-5		SO 1200-5	SO 2000-6	SO 2000-5			
		double acting		Type		GTD58/90		GTD68/90		GTD98/90		GTD 110/90	GTD 115/90	GTD143/90		GTD 163/90	GTD 185/90	GTD 210/90	GTD 254/90		
		single acting		Spring closes on air failure		Type		GTE 68/90-12	GTE 78/90-10	GTE 88/90-10	GTE 98/90-12	GTE 110/90-12	GTE 115/90-12	GTE 127/90-12	GTE 143/90-12	GTE 210/90-10		GTE 250/90-8		on request	
		Spring opens		Type		GTE 68/90-8	GTE 78/90-8	GTE 88/90-8	GTE 110/90-8		GTE 115/90-6	GTE 127/90-8	GTE 143/90-8	GTE 210/90-8		GTE 250/90-6					